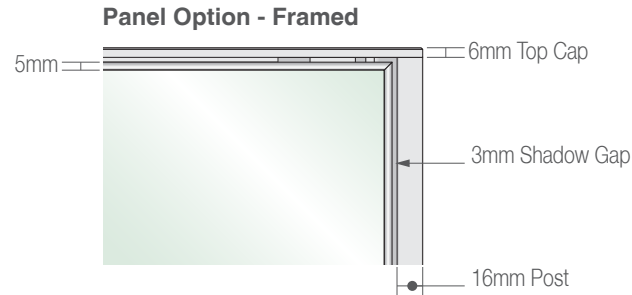
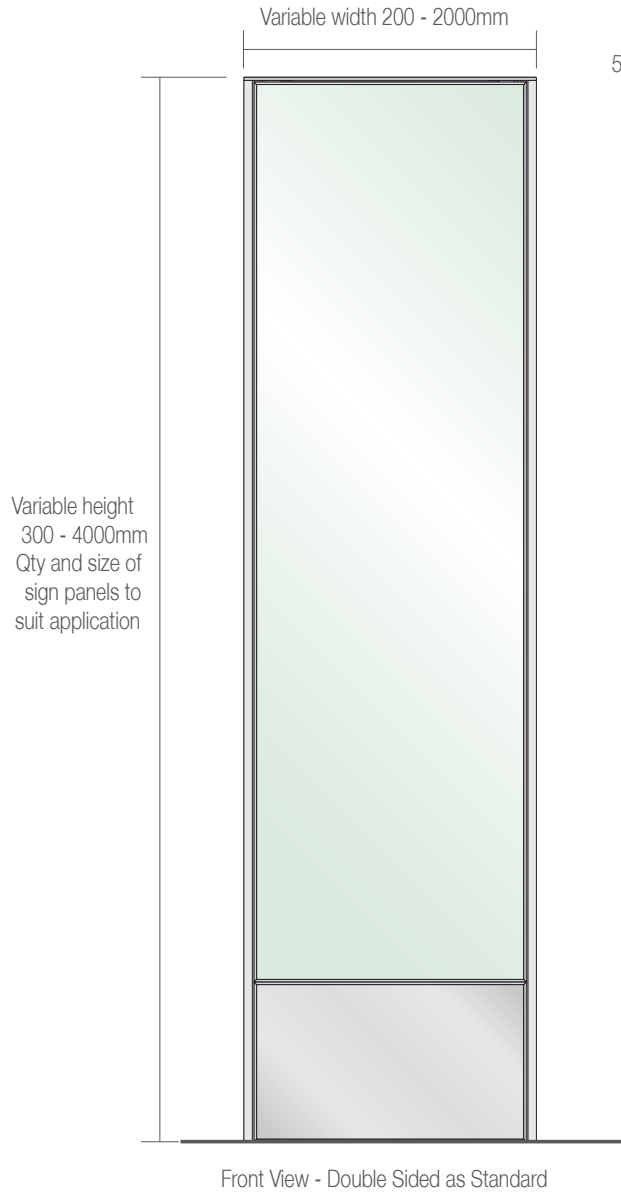
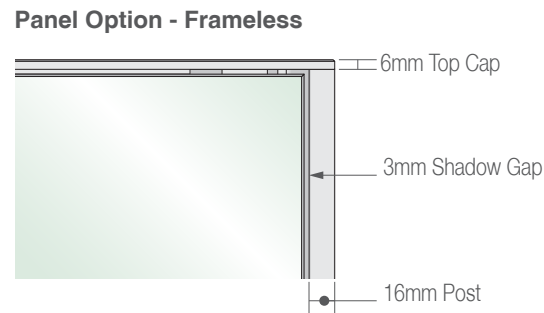


Chameleon Monolith Sign System

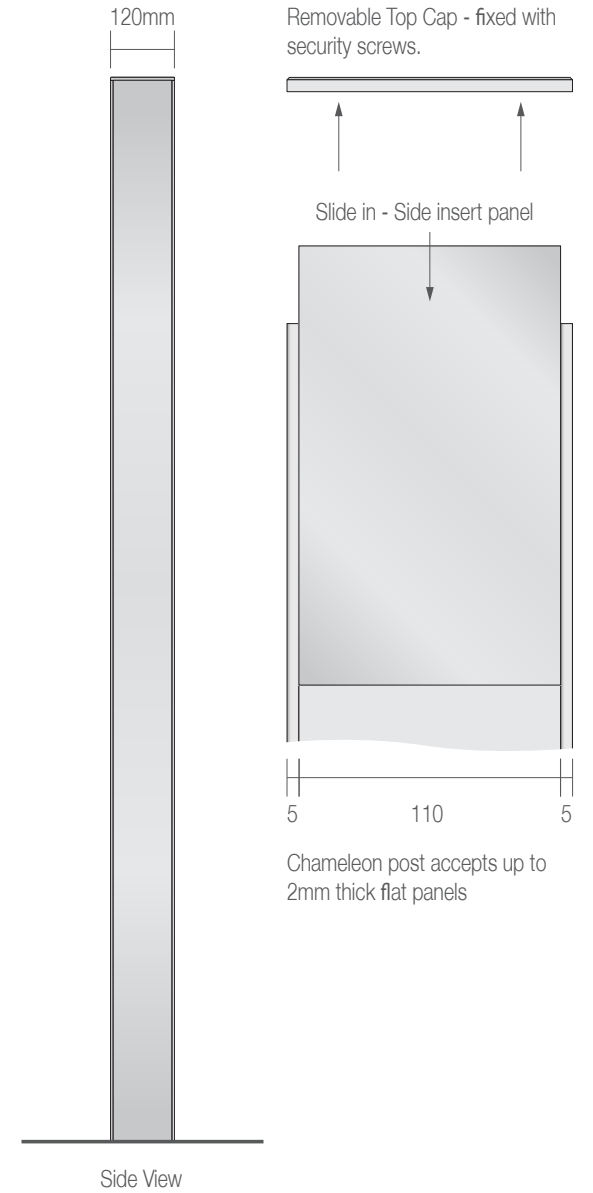


Holds up to 6mm thick panels within a slim 5mm outer frame, panels can be removed for updates.



Panels are permanently bonded with VHB double side tape to rear frame.

Sign Panel Inserts
Chameleon monolith sign system will hold virtually any flat sheet material, typically ranging from: aluminium, stainless steel, toughened glass, granite, vitreous enamelled sheet steel.

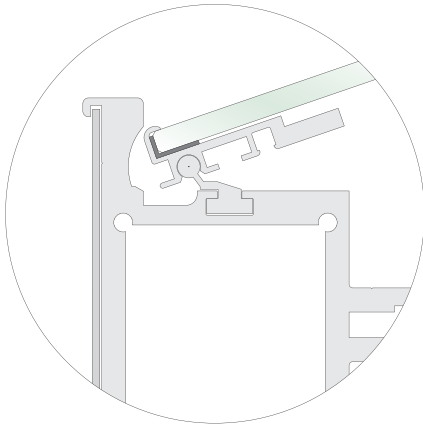


Chameleon Monolith Sign System

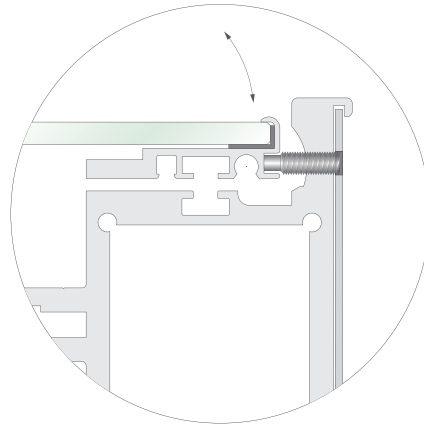


T: 01784 438688
E: sales@signbox.co.uk
© signbox ltd

Framed Sign Panel - Hinged Door

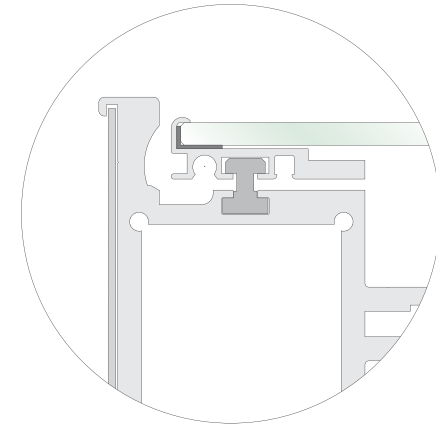


Hinged door frame option.
Accepts 6mm thick sign panels into framed extrusion. Sign panels can be reused.



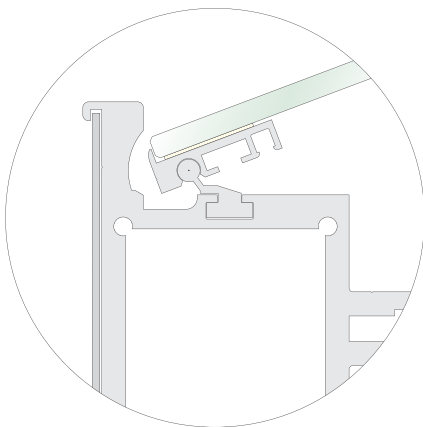
Hinged door frame option.
Side mounted security screw, locks door frame extrusion.

Framed Sign Panel - Front Removable

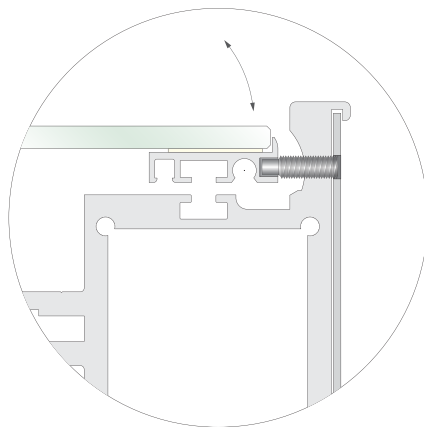


Font removable panel option.
Accepts 6mm thick sign panels into framed extrusion. Sign panels can be reused.

Frameless Sign Panel - Hinged Door

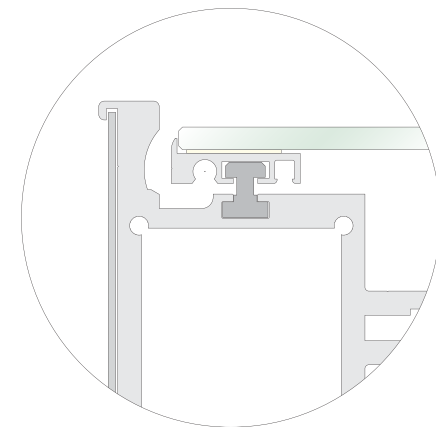


Hinge door frame option.
Sign panels are permanently bonded with VHB tape to back door frame.



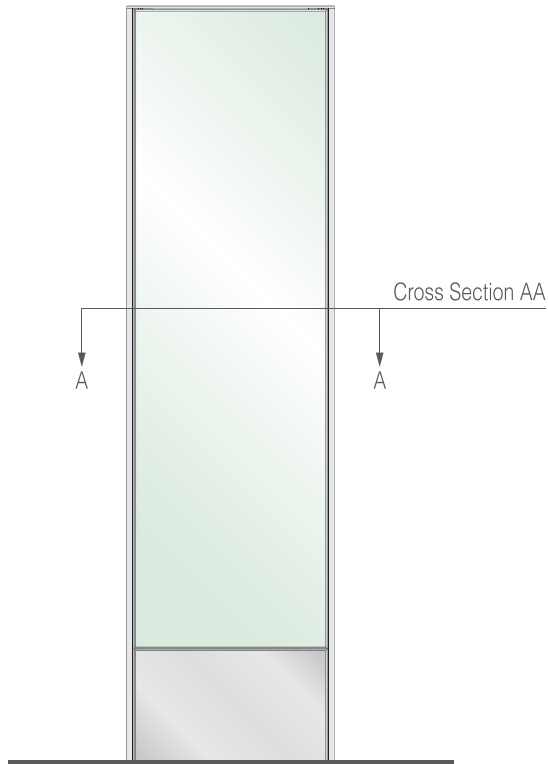
Hinged door frame option.
Side mounted security screw, locks door frame extrusion.

Frameless Sign Panel - Front Removable

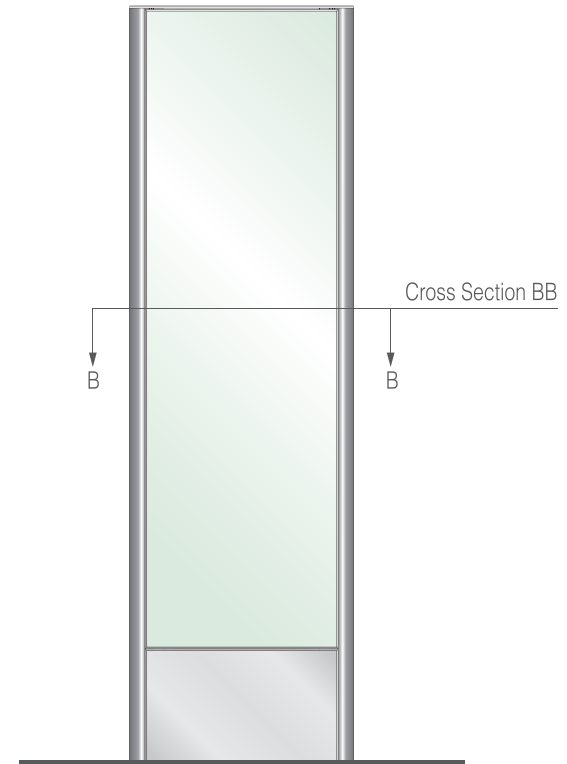


Font removable panel option.
Sign panels are permanently bonded with VHB tape to back door frame.

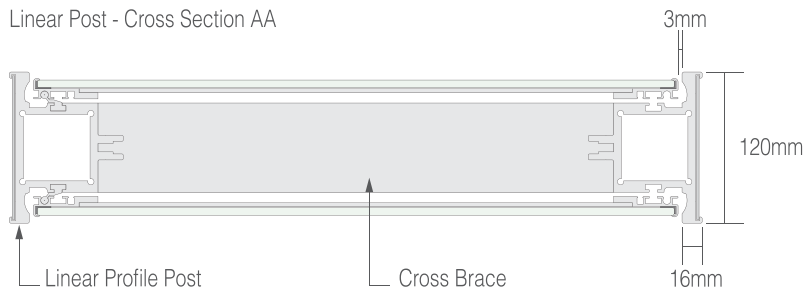
Linear Profile Post



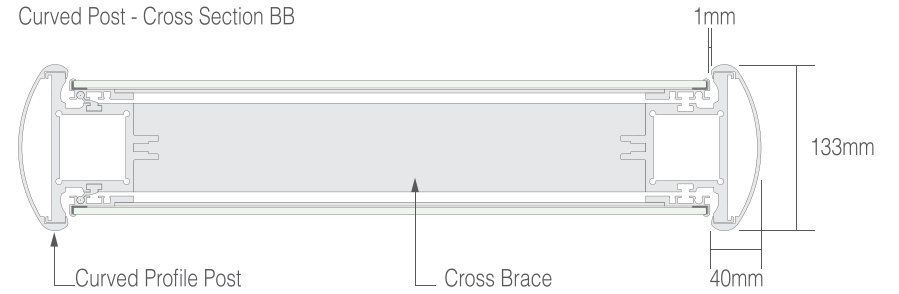
Curved Profile Post



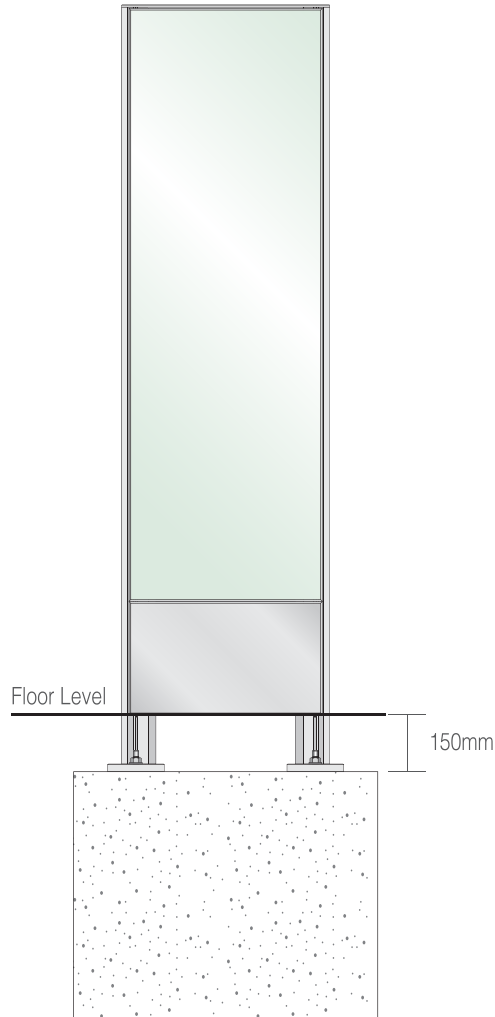
Linear Post - Cross Section AA



Curved Post - Cross Section BB

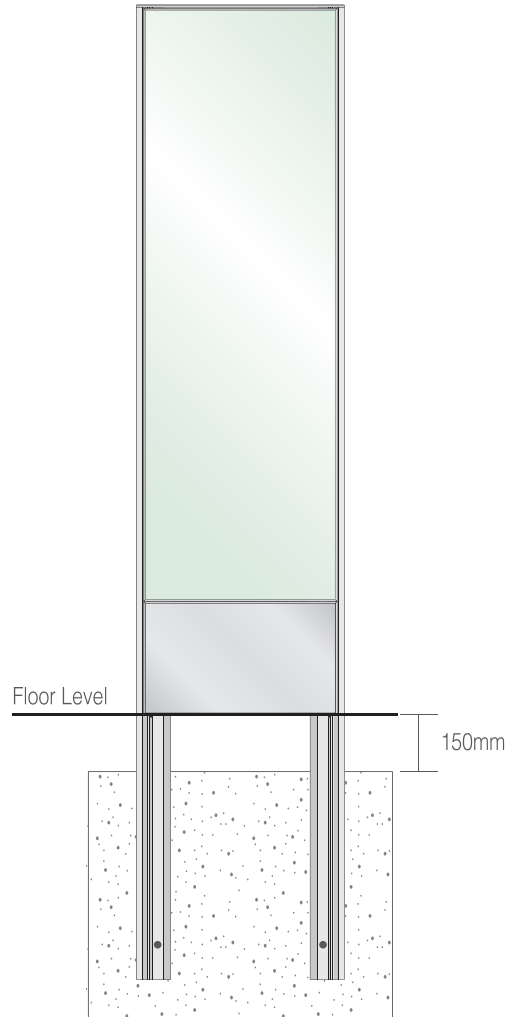


Standard Foot Plate



Post feet secured to concrete foundation using M16 anchor bolts. Size of foundations are calculated for specific sign locations.

Extended Post Legs



Extend post legs with cross anchor pins buried in concrete foundation. Size of foundations are calculated for specific sign locations.

Plinth Mounted



Plinth mount bolted directly on to slab floor using M16 anchor bolts. Structural strength and suitability of slab floor to be established.