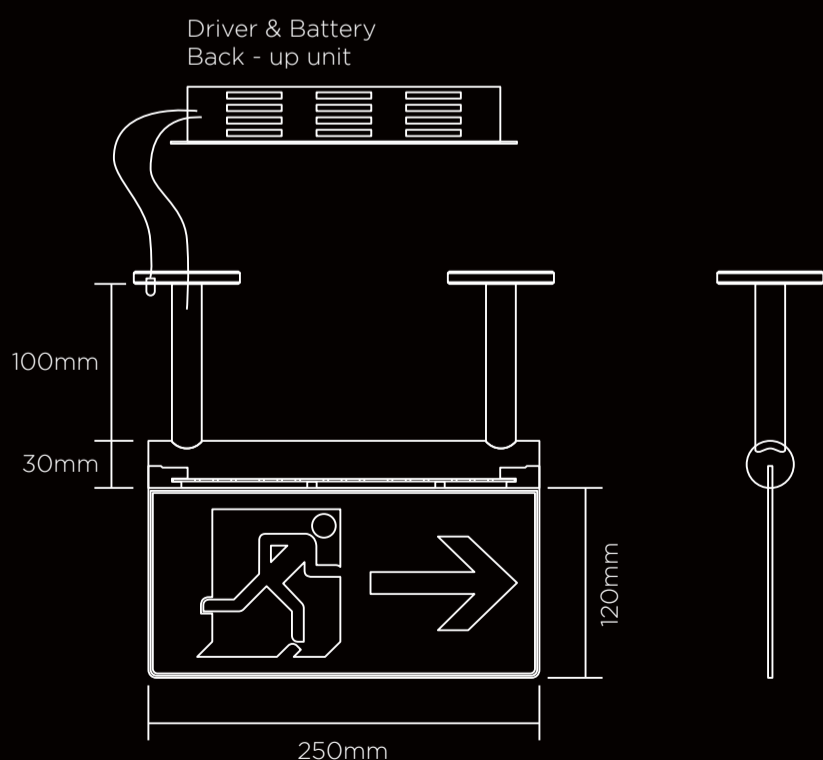




## Fire escape safety sign EN7010 FE LED signslot

Conforming to ISO standard (soon to be European Norm EN7010), the FE LED Signslot comprises a silver anodised aluminium 30mm diameter ceiling mounted Signslot with 100mm drop rods or a wall mounted option, supporting an 8mm thick silica acrylic (glass look) panel with laser engraved and printed graphics.

Complete with a minimum 5 hour emergency battery back up and green LED charge indicator.



## Technical specification for emergency LED power supply

The emergency kit includes driver and battery backup. Emergency kits are designed for low voltage LED's

The module accommodates:

- **Non-maintained power failure mode:**  
LED's illuminating only in event of power failure.
- **Maintained mode:**  
LED's illuminated permanently by driver, but in event of power failure become battery maintained.

Emergency conversion kit is made in accordance with safety directive UE/ PE-EN61347-2-7.

To meet the safety requirements modules are equipped with:

- **Electronic battery charging control system:**  
Controls the power level of the batteries. Prevents overcharging and maximises battery life.
- **Electronic battery discharge control system:**  
Controlling the discharge of power from the batteries to maintain constant illumination during discharge and to maximise battery life.
- **Automatic switch control system:**  
automatic power switch to battery maintained mode in event of power failure.
- **Visual LED system:**  
Indicates the presence of power and charging process.

### Conforms to EU standards:

Safety - PN-EN 61347-2-7

Disturbance elimination - PN-EN 55015

Resistance for disturbance - PN-EN 61547



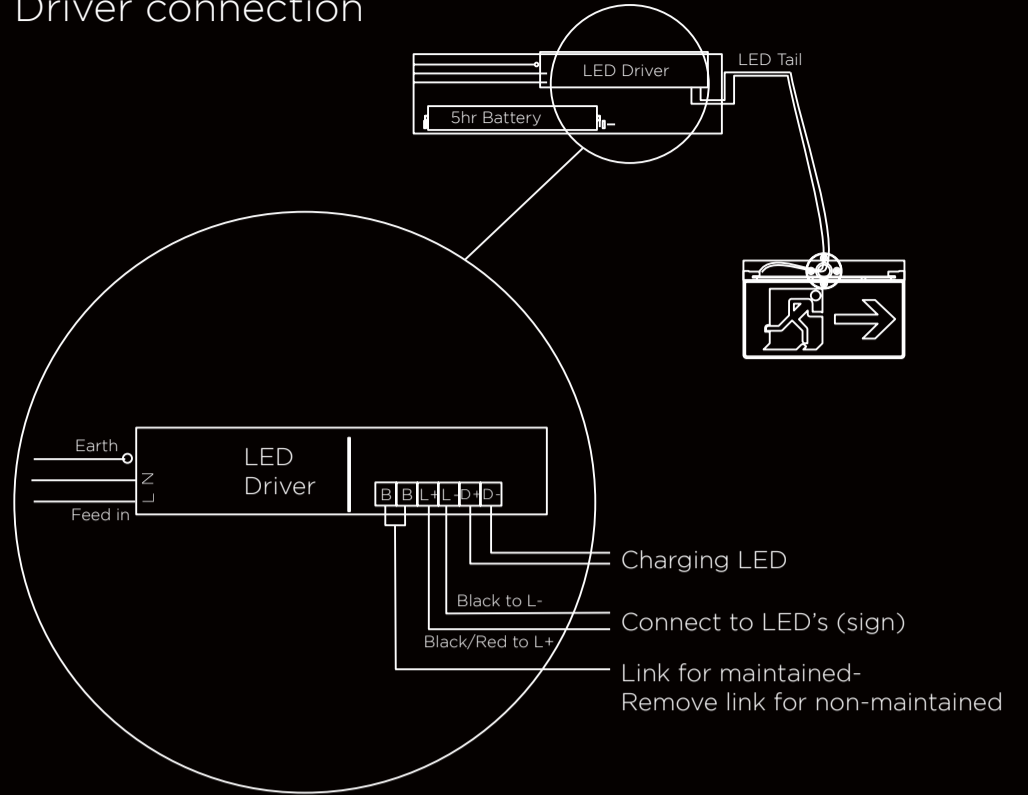
## Fire escape safety sign EN7010 FE LED signslot

IP protection	IP20
Input voltage	AC 230V/50Hz
Output voltage	DC12V
Maximum load output	0,25A
Power consumption from the battery	max 1A
Frequency	20-40 kHz
Reaction time in event of power failure	0,1s
Battery nominal voltage	7,2V
Capacity of battery	2,5Ah
Type of battery	Ni-Cd HT, Ni-MH HT
Durability of battery	4 years
First charging and full readiness to work	24hrs
Battery back up	5hrs
Maximum work temperature	70°C
Normal temperature work	5°C-50°C
Dimensions L/W/H	200/72/60mm

### LED module

Stabilized output	Voltage output	Outside power supply
Yes	12V	No
Maximum load output I-Max	Work time	Battery type
0,25A	5hrs	7,2V/2500mAh

### Driver connection



Charging LED - to be wired into LED Driver D+ & D-  
LED Wire - to be wired into the LED Driver L+ & L-  
Earth Wire - attach to the LED Driver fixing screw  
240v supply to be wired to LED Driver L & N

### Driver connection (with DALI)

